

MasterScreen/SentrySuite®

Technical Specifications

- Powerful, modular software and hardware design
- Adhering to the latest 2005 ATS/ERS standardization guidelines
- Suitable for physician offices, specialty practices, hospitals, and for research purposes.
- MasterScreen is centered around the unique SentrySuite Software Package focusing on efficiency and productivity.



MasterScreen IOS

MasterScreen PFT

MasterScreen Body

“Rely on our JAEGER™ pneumotach for accurate and reliable measurements with a complete hygiene solution for patient safety”

MasterScreen Pneumo

PC based spirometry system for the measurement, recording and assessment of slow and forced spirometry, as well as maximum voluntary ventilation (MVV) and Pre/Post handling.

The system is equipped with a pneumotach for exact measurement results and a complete hygienic concept for patient safety.



Measuring parameters:

Forced Spirometry (FVC):

FVC, FEV1, FEF25, FEF50, FEF75, PEF, PIF, FEV1%VC, ...

Slow Spirometry (SVC):

ERV, IRV, IC, VT, VCIN, VCEX, VCMAX

Maximum voluntary ventilation (MVV):

MVV, BF, VT, ...

Delivery:

Hardware:

- Digital handle
- JAEGER™ pneumotach (heated or unheated)
- Accessories (mouthpieces, MicroGard™ II filter, nose clips, ...)
- Calibration pump (option)
- Power Unit (for heated pneumotach only)
- Desktop or Notebook computer (option)
- Color inkjet printer (option)
- Trolley (console) with support arm (option)

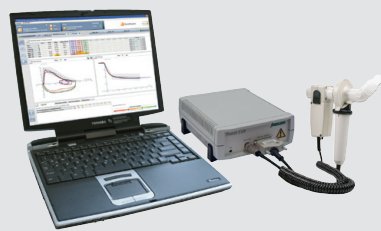
Software:

- Windows® 7 SP1, 64 bit
- SentrySuite V2.15
- Measuring program Spirometry
- APS pro Bronchial Challenge (option)

MasterScreen Pneumo with Rocc

PC based spirometry system for the measurement, recording and assessment of slow and forced spirometry, maximum voluntary ventilation (MVV) and airway resistance (R Occ).

The system is equipped with a pneumotach and shutter for exact measurement results and a complete hygienic concept for patient safety.



Measuring parameters:

identical to the MasterScreen Pneumo plus:

Airway Resistance:

R Occ, G Occ, Palv, ...

Delivery:

Hardware:

identical to the MasterScreen Pneumo plus:

- Shutter with power unit

Software:

identical to the MasterScreen Pneumo plus:

- Measuring program R Occ
- Measuring program P 0.1 (option)
- Measuring program MIP / MEP (option)

MasterScreen IOS

System for performing oscillometric diagnostics independent of patient cooperation. The IOS does not only allow for a quick and reliable determination of pulmonary obstructions but further differentiates between central and peripheral components.



Measuring parameters:

identical to the MasterScreen Pneumo plus:

Impulse Oscillometry:

R5Hz, X5Hz, Fres., AX, D5-20%, VT, ...

Delivery*:

Hardware:

identical to the MasterScreen Pneumo plus:

- IOS head with speaker
- Y-adapter
- Power unit or system box with isolation transformer
- Reference resistance

Software:

identical to the MasterScreen Pneumo plus:

- Measuring program IOS

* The IOS is available as an independent system or as an addition to a MasterScreen System.

MasterScreen Diffusion (RT)

Complete system for recording spirometry and pulmonary diffusing capacity on the basis of CO diffusion with simultaneous determination of alveolar volume and other absolute pulmonary volumes. The continuous, high speed gas analysis of CO/CH4 allows the measurement of SB Diffusion in Realtime and additionally with the Intrabreath method with non-breath hold manoeuvre.



Measuring parameters:

identical to the MasterScreen Pneumo plus:

Diffusion SB Realtime:

DLCO SB, DLCO SBc, VA SB, KCO, KCOc...

Diffusion SB Intrabreath:

DLCO IB, DLCO IBc, VA IB, KCO IB, KCO IBc...

Delivery:

Hardware:

- Trolley with support arm
- JAEGER™ Pneumotach
- Accessories (mouthpieces, MicroGard™ II filter, nose clips, ...)
- Fast CO/CH4 Diffusion gas analyzer
- System box incl. isolation transformer
- Calibration pump (option)
- Desktop computer/TFT monitor
- Color inkjet printer

Software:

identical to the MasterScreen Pneumo plus:

- Measuring program
 - Diffusion SB Realtime
 - Diffusion SB Intrabreath

MasterScreen PFT

Practice-oriented pulmonary function testing station for determining static and dynamic lung volumes via the classic He-Rebreathing method and the diffusion capacity via the single-breath method. MasterScreen PFT can be combined with MasterScreen Body, APS Provocation system and IOS Impulse Oscillometry.



Measuring parameters:

identical to the MasterScreen Pneumo plus:

FRC Rebreathing:

FRC-He, ERV, RV, TLC, VC, ...

Diffusion SB Realtime:

DLCO SB, DLCO SB_c, VA SB, KCO, KCO_c...

Diffusion SB Intrabreath:

DLCO IB, DLCO IB_c, VA IB, KCO IB, KCO IB_c...

Delivery:

Hardware:

- Trolley with support arm
- JAEGER™ Pneumotach
- Accessories (mouthpieces, MicroGard™ II filter, nose clips, ...)
- PFT Gas analyzer
- System box incl. isolation transformer
- Calibration pump (option)
- Desktop computer/TFT monitor
- Color inkjet printer

Software:

identical to the MasterScreen Pneumo plus:

- Measuring program
 - Diffusion SB Realtime
 - Diffusion SB Intrabreath
 - FRC Rebreathing

MasterScreen Body

Whole body plethysmograph capable of comprehensive pulmonary function testing equipped with spacious box as well as easy-to-exchange, heated pneumotach and a quick shutter. Maximize patient comfort by height-adjustable seat and easy-to-handle support arm.



Measuring parameters:

identical to the MasterScreen Pneumo plus:

Bodyplethysmography:

FRCpleth, ERV, RV, TLC, VC, ...

sReff, Reff, sRtot, Rtot, ...

Delivery:

Hardware:

- Trolley
- JAEGER™ Pneumotach
- Shutter
- Accessories (mouthpieces, MicroGard™ II filter, nose clips, ...)
- Traditional comfort-sized body box
- System box incl. isolation transformer
- Calibration pump (option)
- Desktop computer/TFT monitor
- Color inkjet printer

Options:

- XXL-size two doors cabin with increased leg room and access for wheelchair
- APS Provocation system (inside box)
- IOS Impulse Oscillometry
- MasterScreen PFT

Software:

identical to the MasterScreen Pneumo plus:

- Measuring program
 - Bodyplethysmography
 - R Occ, P 0.1, MIP / MEP (options)

MasterScreen Body/Diff

Identical with MasterScreen Body but with integrated fast gas analyzer for measuring diffusion capacity via the single-breath method in Realtime and additionally with the Intrabreath method with non-breath hold manoeuvre.



Measuring parameters:

identical to the MasterScreen Pneumo plus:

Bodyplethysmography:

FRCpleth, ERV, RV, TLC, VC, ...

SReff, Reff, SRtot, Rtot, ...

Diffusion SB:

DLCO SB, DLCO SB_c, VA SB, KCO, KCO_c...

Delivery:

Hardware:

- Trolley
- JAEGER™ Pneumotach
- Shutter
- Accessories (mouthpieces, MicroGard™ II filter, nose clips, ...)
- Traditional comfort-sized body box
- Integrated gas analyzer
- Demand Valve
- System box incl. isolation transformer
- Calibration pump (option)
- Desktop computer/TFT monitor
- Color inkjet printer

Options:

- APS Provocation system (inside box)
- IOS Impulse Oscillometry
- XXL-size two doors cabin

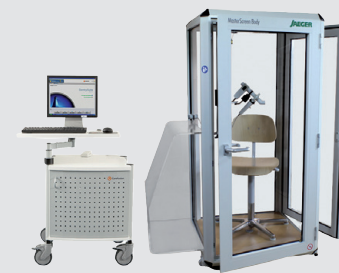
Software:

identical to the MasterScreen Pneumo plus:

- Measuring program
 - Bodyplethysmography
 - Diffusion SB Realtime/Intrabreath
 - R Occ, P 0.1, MIP / MEP (options)

MS Body XXL-size two doors cabine

Identical with MasterScreen Body or Body/Diff but with a XXL-size two doors cabine with increased leg room and access for wheelchair.



Measuring parameters:

identical to the MasterScreen Body

Delivery:

Hardware:

- Trolley
- JAEGER™ Pneumotach
- Shutter
- Accessories (mouthpieces, MicroGard™ II filter, nose clips, ...)
- XXL-size two doors box with increased leg room and access for wheelchair
- Ramp for easy wheelchair access
- Removable height adjustable chair
- System box incl. isolation transformer
- Calibration pump (option)
- Desktop computer/TFT monitor
- Color inkjet printer

Options:

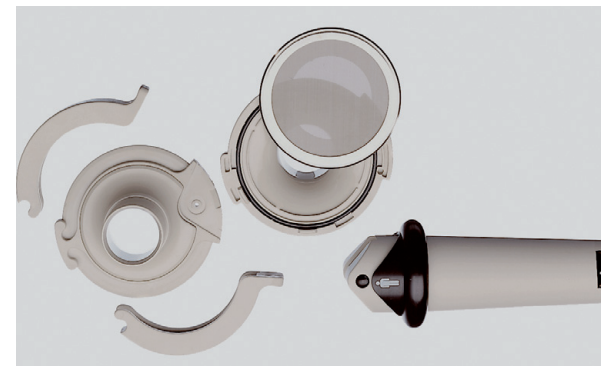
- APS Provocation system (inside box)
- IOS Impulse Oscillometry
- MasterScreen PFT

Software:

identical to the MasterScreen Body

Flow-Volume/pressure measurements

Flow	Type	Pneumotach
	Range	0 to ± 20 L/s
	Accuracy	0.2 to 12 L/s: ± 2 % or 0.2 L/s (whichever is greater)
	Resolution	10 mL/s
	Resistance	< 0.05 kPa/(L/s) (0.5 cmH ₂ O/(L/s)) at 10 L/s
	CMRR	60 dB at 50 Hz
Volume	Type	Software Integration
	Range	± 20 L
	Accuracy	0.5 to 8 L: ± 3 % or ± 0.05 L (whichever is greater)
	Resolution	1 mL
Mouth pressure MasterScreen Pneumo / PFT / Body / Body-Diff	Type	Piezo Resistive
	Range	± 20 kPa (± 150 mmHg)
	Accuracy	± 2 %
	Resolution	0.01 kPa (0.075 mmHg)
	CMRR	60 dB at 50 Hz
Mouth pressure MasterScreen IOS	Type	piezo resistive
	Range	± 2 kPa (± 15 mmHg)
	Accuracy	± 2 %
	Resolution	0.003 kPa (0.023 mmHg)



JAEGER™ Pneumotach

Bodyplethysmograph - MasterScreen Body

Box signal	Transducer type	piezo resistive / calibrated in shift volume
	Transducer range	0 to ± 800 mL at 1000 hPa ambient pressure
	Accuracy	± 2 %
	Resolution	0.4 mL
	Compensation chamber	Reduction of ambient pressure variations
	Calibration volume	50 mL, motor-driven calibration pump
	Standard box	Volume
Size		88 x 80 x 185 cm (35" x 32" x 73") (W x D x H)
Weight		120 kg (265 lbs)
Wheelchair box	Volume	1350 L
	Size	133 x 100 x 183 cm (52" x 39" x 72") (W x D x H)
	Weight	165 kg (364 lbs)
Chair	Maximal load	150 kg (331 lbs)
Material	Box	Aluminum/acrylic glass construction



MasterScreen Body

Gas Analyzer MasterScreen Body/Diff (RT), MasterScreen Diff (RT):

Multigas Analyzer (CO/CH ₄ /C ₂ H ₂):	Type	Infrared
	Range	0 to 0.33 %
	Accuracy	± 0.003 % absolute or ± 2 % relative (whichever is greater)
	Resolution	0.0005 %
	T10-90 Sensor	< 350 ms



MasterScreen Body/Diffusion (RT)

Gas Analyzer - MasterScreen PFT

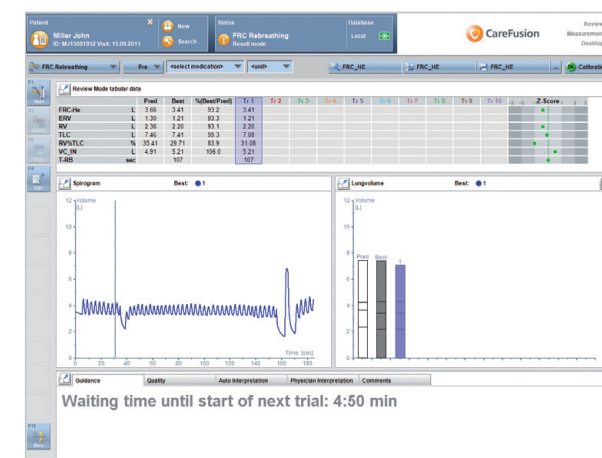
Helium Analyzer (He):	Principle	Principle of thermal conductivity
	Range	0 to 10 % He
	Accuracy	± 0.05 % He absolute or ± 2 % relative (whichever is greater)
	Resolution	0.005 % He
	T10-90 Sensor	< 200 ms
Carbon Monoxide Analyzer (CO):	Type	Electrochemical cell
	Range	0 to 0.4 % CO
	Accuracy	± 0.003 % CO absolute or ± 1 % relative (whichever is greater)
	Resolution	0.0002 % CO
	T10-90 Sensor	< 40 sec
Oxygen Analyzer (O2):	Type	Electrochemical cell
	Range	0 to 100 % O ₂
	Accuracy	± 1.0 % O ₂ absolute
	Resolution	0.05 % O ₂
	T10-90 Sensor	< 12 sec
	Service life:	at least 2 years
Multigas Analyzer (CO/CH4/C2H2):	Type	Infrared
	Range	0 to 0.33 %
	Accuracy	± 0.003 % absolute or ± 2 % relative (whichever is greater)
	Resolution	0.0005 %
	T10-90 Sensor	< 350 ms
Nitrogen Monoxide Analyzer (NO):	Type	Electrochemical cell
	Range	0 to 100 ppm
	Accuracy	3 ppm NO absolute
	Resolution	0.1 ppm NO
	T10-90 Sensor	< 15 sec



MasterScreen PFT



Single-Breath Diffusion Realtime



FRC Rebreathing (He)

Pressure reducer		
Diffusion pressure reducer for demand valve (single-breath method)	Inlet pressure	200 bar
	Outlet pressure	7 bar (fixed)
	Flow rate	at least 500 L/min
	Flow rate	at most 700 L/min
	2 outlets	G 1/4 internal screw thread
O2 pressure reducer	Inlet pressure	200 bar
	Outlet pressure	2.5 bar (fixed)
	1 outlet	G 1/4 internal screw thread
Other test gas pressure reducer	Inlet pressure	200 bar
	Outlet pressure	3 bar (fixed)
	1 outlet	G 1/4 internal screw thread



MS Pneumo with Rocc and power supply

APS pro		
Compressor	Flow	7 L/min
	Pressure	1.0 bar
Nebulizer	Name	Philips Respironics Sidestream®
	Type	Compressed air nebulizer
	Mean mass diameter	3.2 µm
	Output power	240 mg/min



APS pro Stand alone with nebulizer

MasterScreen IOS		
Test signal	Type	Impulses of alternating direction
	Pulse interval	0.1 - 10 s
	Impulse length	40 ms
	Frequency range of single impulse	0 - 100 Hz
	Maximal impulse pressure	0.3 kPa (3 cmH2O)
	Power spectrum	Maximum at 5 Hz to -25 dB at 50 Hz
	System verification	Reference impedance
Accuracy		< ± 2 %

Calibration pump		
	Volume:	1 L / 3 L
	Accuracy:	+/- 12 mL

MicroGard™ II Bacterial/Viral Filter		
MicroGard™ IIB/IIC	Application	Single patient use
	Latex	Latex-free product
	Inspiratory Resistance	< 0.04 kPa/(L/s) (0.4 cm H2O/(L/s)) at 1 L/S
	Expiratory Resistance	< 0.04 kPa/(L/s) (0.4 cm H2O/(L/s)) at 1 L/S
	Filtering Efficiency	> 99.999 % (Nelson Test Lab)
	Filter Volume	55 mL
MicroGard™ IIC	Connecting Cone	30 mm ID. 30 mm OD. Tapered ports
MicroGard™ IIB (Filter with integrated mouthpiece)	Connecting Cone	30 mm ID. Tapered port



MicroGard™ II Filter

Power supply		
PC or notebook	Mains voltage	100 to 240 V AC; 50 to 60 Hz, max 1.5 A
	Power input	max. 1.5 A (depending on PC/notebook)
MasterScreen Pneumo unheated (handle without power unit and without isolating transformer)	Mains voltage	5 V DC
	Power input	1 A
MasterScreen Pneumo heated (handle with power unit and without isolating transformer)	Mains voltage	100/115/125/230 V AC, 50 to 60 Hz
	Power input	20 VA
	Electrical safety	Protection class I
MasterScreen Pneumo with isolating transformer	Mains voltage	115/125/230 V AC, 50 to 60 Hz
	Power input	900 VA
	Electrical safety	Protection class I
MasterScreen IOS (Stand alone with power unit and without trolley)	Mains voltage	100/115/125/230 V AC, 50 to 60 Hz
	Power input	20 VA
	Electrical safety	Protection class I
MasterScreen with trolley and system box e. g. MasterScreen PFT / MasterScreen Body / MasterScreen Body-Diff / MasterScreen IOS with system box / APS pro with system box	Mains voltage	100/115/125/230 V AC, 50 to 60 Hz
	Power input	508 VA
	Electrical safety	Protection class I
APS pro Stand alone	Mains voltage	100/115/230 V AC, 50 to 60 Hz
	Power input	10 to 100 VA (Int.)
	Electrical safety	Protection class I
Moisture protection	Complete system	IP 20



MS IOS Stand alone with Power Unit



MS IOS with APS pro and Trolley (Console)



MasterScreen Diffusion (RT)

Classification of applied parts		
MasterScreen Body	Applied Part	Type B
MasterScreen Body/Diff (RT)	Applied Part	Type B
MasterScreen Diffusion (RT)	Applied Part	Type B
MasterScreen PFT	Applied Part	Type B
MasterScreen IOS with system box	Applied Part	Type B
MasterScreen IOS with power unit	Applied Part	Type BF
Option IOS	Applied Part	Type B
MasterScreen Pneumo	Applied Part	Type BF
APS pro SA with system box	Applied Part	Type B
APS pro SA with power unit/compressor	Applied Part	Type BF
Option APS	Applied Part	Type B

Category according to MDD 93/42/EEC (2007)		
	Complete system	Active class IIa medical product

Operating mode		
	Complete system (apart from APS pro with power unit)	Continuous operation
	APS pro (with power unit and compressor)	Intermittent operation

Ambient conditions

Complete System (apart from APS pro)	Altitude	≤ 2000 m
	Temperature	+ 10 °C to + 34 °C (+ 50 °F to 93.2 °F)
	Rel. humidity	15 to 95 % RH, non-condensing
	Ambient pressure	700 to 1060 hPa (525 to 795 mmHg)
APS pro SA (with power unit/compressor)	Temperature	+ 10 °C to + 40 °C (+ 50 °F to 104 °F)
	Rel. humidity	30 to 75 % RH, non-condensing
	Ambient pressure	700 to 1060 hPa (525 to 795 mmHg)

Transport and storage conditions

MasterScreen Pneumo/IOS/PFT/Body/Body-Diff, APS pro	Temperature	- 20 °C to + 50 °C (- 4 °F to 122 °F)
	Rel. humidity	15 to 95 % RH, non-condensing
	Ambient pressure	600 to 1200 hPa (450 to 900 mmHg)

SentrySuite® software

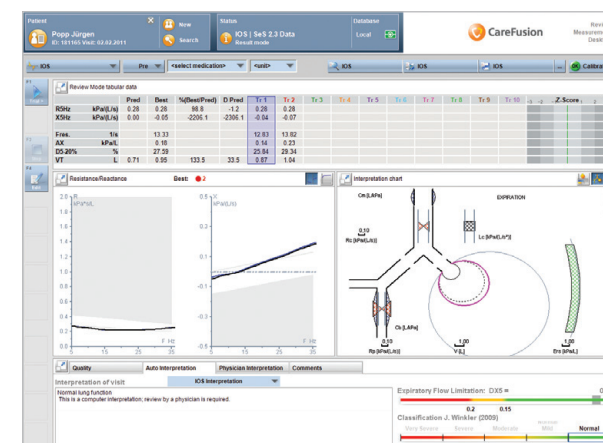
OS	Windows® 7 Professional/Ultimate/Enterprise 64 bit SP1 and Windows® 8.1 Pro/Enterprise 64 bit For updates: Windows® 7 Professional 32 bit SP1
Other patches	None
Data platform	Microsoft® SQL Server® 2008 R2
Edition	Standard or Enterprise edition
Languages	English, English (US), German, French, Italian, Spanish, Portuguese, Danish, Swedish, Norwegian, Finnish, Polish, Russian
.NET framework	3.5 for MS SQL Server, 4.5 for SentrySuite and Sentry.NET

Instrument, workstation and small system server requirements

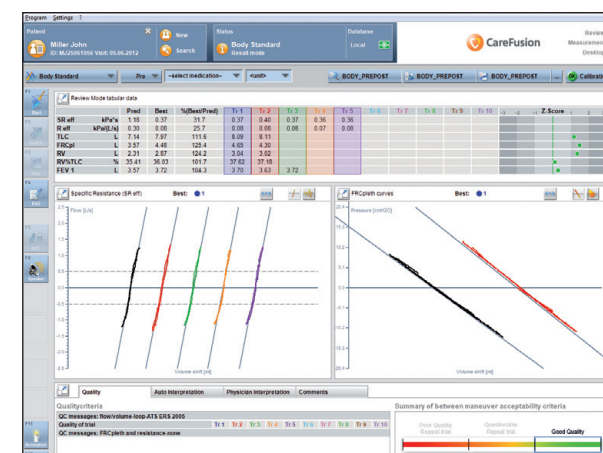
Computer	Manufacturer	Dell™
	Processor	Minimum Dual Core™ with 2.0 GHz or more Recommended Quad Core™ processor with 2.8 GHz or more
	RAM	Minimum 3 GB for 32 bit OS, 4 GB for 64 bit OS Recommended 4 GB for 32 bit OS, 8 GB or more for 64 bit OS
	Hard drive	Minimum 100 GB HDD, recommended 320 GB SSD, 20 GB free disc space
	Other drive	DVD-ROM, recommended DVD-RW
	Network	If networking: 100 Mbit/s TCP/IP, recommended 1000 Mbit/s
	OS	Windows® 7 Professional/Ultimate/Enterprise 64 bit SP1 and Windows® 8.1 Pro/Enterprise 64 bit For updates: Windows® 7 Professional 32 bit SP1
Interfaces	MasterScreen Pneumo unheated	1 free serial RS 232 or 1 free USB 2.0 1 free PS/2 or 1 free USB 2.0
	MasterScreen heated	1 free serial RS 232 or 1 free USB 2.0
	MasterScreen IOS	1 free serial RS 232 or 1 free USB 2.0
	MasterScreen PFT/Body/Diff	1 free PCIe interface
	APS pro	1 free serial RS 232 or 1 free USB 2.0
	Fingerprint reader	1 free USB 2.0; supported with Windows® 7 32 bit only
Monitor	Screen resolution	Minimum 1280 x 900, wide or normal screen
	Display	32 bit color
Power	Computer/Monitor	100 to 240 V AC, 4.6 A
Small system server	Networked stations	Maximum 5 stations including server



Forced Spirometry (FVC)



IOS



Bodyplethysmography

Server system requirements

Computer	Processor	Minimum Dual Core™ processor with 2.0 GHz Recommended Quad Core™ processor with 2.8 GHz or more
	RAM	< 100 000 patients: Minimum 3 GB for Windows® 7 32 bit OS; Minimum 8 GB for 64 bit OS > 100 000 patients: Minimum 16 GB for 64 bit OS
	Hard drive	Performance based RAID level or SSD < 100 000 patients: Minimum 360 GB free disc space > 100 000 patients: Minimum native 100 GB free disc space + 200 GB per 100 000 patients; incl. database backups: minimum 360 GB free disc space + 600 GB per 100 000 patients
	Other drive	DVD-ROM, recommended DVD-RW
	Network	100 Mbit/s TCP/IP, recommended 1000 Mbit/s
	OS	Windows® 7 Professional/Ultimate/Enterprise 64 bit SP1 and Windows® 8.1 Pro/Enterprise 64 bit Windows® Server 2008 R2 or 2012 For updates: Windows® 7 Professional 32 bit SP1 For updates: Windows® Server 2003 SP2
Monitor	Screen resolution	Minimum 1024 x 768, recommended 1280 x 1024
Power	Server/Monitor	100 to 240 V AC, 4.6 A

Network hardware

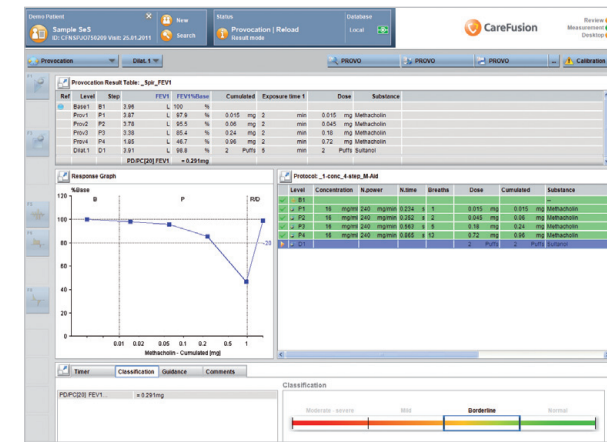
Ethernet	Speed	Minimum 100 Mbit/s, recommended 1000 Mbit/s
----------	-------	---

Sentry.NET server requirements

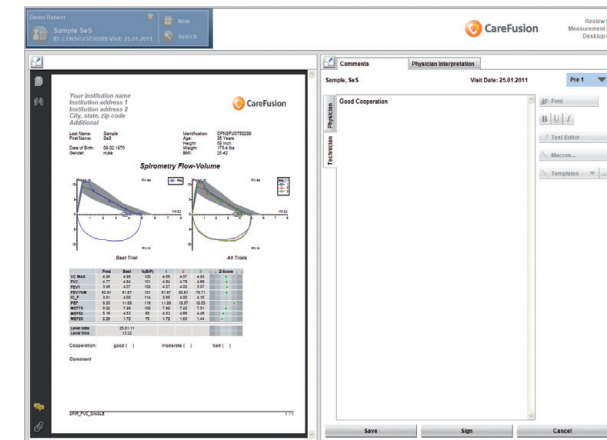
Computer	Processor	Minimum Dual Core™ processor with 2.0 GHz or more Recommended Quad Core™ processor with 2.8 GHz or more
	RAM	Minimum 3 GB for 32 bit OS, 4 GB for 64 bit OS Recommended 4 GB for 32 bit OS, 8 GB or more for 64 bit OS
	Hard drive	Minimum 100 GB HDD, recommended 320 GB SSD, 20 GB free disc space to save at least 10 000 PFT measurements
	Other drive	DVD-ROM, recommended DVD-RW
	Network	100 Mbit/s TCP/IP, recommended 1000 Mbit/s
	OS	- Windows® 7 Professional/Ultimate/Enterprise 64 bit SP1 with IIS 7.5 (with restricted number of users) - Windows® 8.1 Pro/Enterprise 64 bit with IIS 8.0 (with restricted number of users) - Windows® Server® 2008 R2 with IIS 7.5 or 2012 with IIS 8 - For updates: Windows® 7 Professional 32 bit SP1 with IIS 7.5 (with restricted number of users) - For updates: Windows® Server® 2003 SP2 with IIS 6
Monitor	Screen resolution	Minimum 1280 x 900, wide or normal screen
	Display	32 bit color
Power	Computer/Monitor	100 to 240 V AC, 4.6 A

Sentry.NET clients requirements

	Browser	Internet Explorer 9 for Windows® 7 SP 1 and Internet Explorer 10 for Windows® 8.1
	Silverlight version	Microsoft® Silverlight 5.1



APS pro Bronchial Provocation



Review Program for Interpretation

The screenshot shows the 'Review Program for Interpretation' in CareFusion. At the top, there's a search bar and a 'Filter' section with various options like 'Today', '23.12.2010', '23.11.2010', 'Day', 'Week', 'Month', 'Filter by Date', and '2 additional filter(s) active'. Below the filter is a table with columns: ID, MS Visit ID, Filter by Visit Status, Filter detailed report status, Last Name, MS Order ID, New, Preliminary, A/E, First Name, Test, Final, AI, Operator, Testing Complete, Final, AI, Physician, In-Review, Corrected, AI, Ref. Physician, Final, Corrected. Below the table is a 'Reports' section with columns: Date, Time, Name, ID, Status. The table lists several reports with dates like 23.12.2010 and names like Taylor John, Smith John, Taylor Anna, Huettneroth Klaus, and Kinsel Bernd. On the right, there's a 'Selected Visit' section with a 'Visit Date' field.

Features at a Glance

MasterScreen Products with SentrySuite® Software

	MS Pneumo	MS IOS	MS PFT (FRC/ Diff)	MS Diff (RT)	MS Body	MS Body/Diff (RT)	Report Station
Measurement Programs							
Forced Spirometry (FVC) / Slow Spirometry (SVC) / MVV	x	x	x	x	x	x	s
Spirometry Animation Programs	x	x	x	x	x	x	-
Airways Resistance by R Occlusion	o	o	o	o	o	o	s
Impulse Oscillometry IOS	o	x	o	o	o	o	s
FRC Rebreathing (Static Lung Volumes)	-	-	x	-	o	-	s
Single-Breath Diffusion Realtime	-	-	x	x	o	x	s
Single-Breath Diffusion Intrabreath	-	-	x	x	o	x	s
Non-invasive Cardiac Output (C ₂ H ₂)*	-	-	o	-	o	-	s
Bodyplethysmography	o	-	o	-	x	x	s
Bronchial Challenge with APS pro	o	o	o	o	o	o	s
P 0.1	o	o	o	o	o	o	s
MIP / MEP	o	o	o	o	o	o	s
Calibration Programs							
Flow/Volume Calibration	x	x	x	x	x	x	-
Gas Calibration	-	-	x	x	-	x	-
Body Box Calibration	-	-	o	-	x	x	-

x Standard s Standard, depending on the existing measuring system
o Option - not available

* This option is not available in the USA

Features at a Glance

MasterScreen Products with SentrySuite® Software

	MS Pneumo	MS IOS	MS PFT (FRC/ Diff)	MS Diff (RT)	MS Body	MS Body Diff (RT)	Report Station
Organization Programs							
SentrySuite Desktop (Settings, Export/Import)	x	x	x	x	x	x	x
SentrySuite Review	x	x	x	x	x	x	x
Patient Data	x	x	x	x	x	x	x
Report Output (Print, View, Quick View, Save, PDF)	x	x	x	x	x	x	x
Multiformat Output (JPG, TIFF, RTF)	x	x	x	x	x	x	x
Auto Interpretation	x	x	x	x	x	x	x
ATS / ERS Quality Check	x	x	x	x	x	x	x
Comments / Physician Interpretation	x	x	x	x	x	x	x
Report Designer for generating customized reports	x	x	x	x	x	x	x
Predicted Values and Reference Sets Design and Editor	x	x	x	x	x	x	x
Offline Data Input	x	x	x	x	x	x	x
SeS Quality Management	x	x	x	x	x	x	-
Log file viewer	x	x	x	x	x	x	x
Backup/Restore	x	x	x	x	x	x	x
InterConnectivity Manager for interface with JLAB / Vmax / SPCS platforms	x	x	x	x	x	x	x
MedGraphics and nSpire Import Function (consult IFU for compatible SW versions)	x	x	x	x	x	x	x
GDT connection (German standard)	x	x	x	x	x	x	x
Questionnaire Designer	o	o	o	o	o	o	o
SeS Q Remote Tablet Questionnaire	o	o	o	o	o	o	o
Security and User Administration	o	o	o	o	o	o	o
SentryConnect for HIS integration via HL7	o	o	o	o	o	o	o
Spirometer Data Transfer (FlowScreen®, SpiroPro®, MicroLoop, MicroLab)	x	x	x	x	x	x	x
SeS SQL Database Interface Query	o	o	o	o	o	o	o
Patient Data Management	o	o	o	o	o	o	o
Networking	o	o	o	o	o	o	x
Sentry.NET Web Application	o	o	o	o	o	o	o

x Standard s Standard, depending on the existing measuring system
o Option - not available

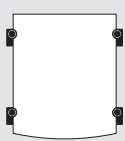
Dimensions and Required Space

MasterScreen Products

Dimensions:

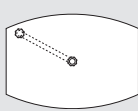
Trolley

60 x 66 cm (W x D)



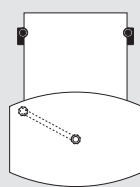
Table*

70 x 50 cm (W x D)



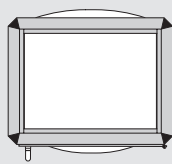
Trolley + Table*

70 x 98 cm (W x D)



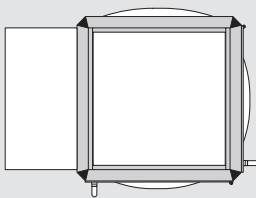
Box Standard

88 x 80 x 185 cm (W x D x H)



Box XXL

133 x 100 x 183 cm (W x D x H)



Ramp

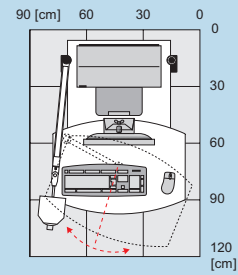
63 x 73 cm (W x D)



For the XXL Box, a minimum doorway width of 100 cm (40") is required.

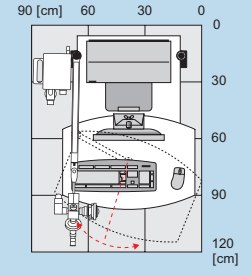
MasterScreen IOS with swivel-mounted table

Required Space: 90 x 120 cm (W x D)



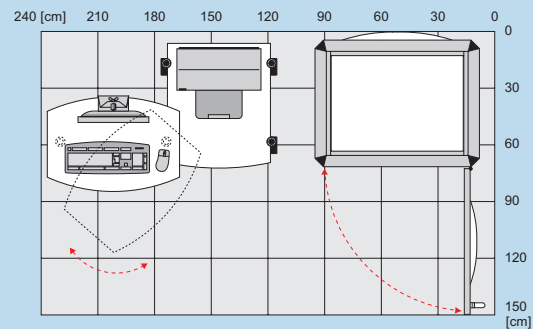
MasterScreen PFT/Diffusion with swivel-mounted table

Required Space: 90 x 120 cm (W x D)



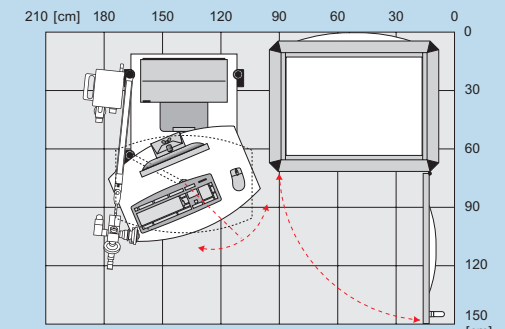
MasterScreen Body with swivel-mounted table with leg

Required Space: 230 x 150 cm (W x D)



MasterScreen PFT + Body with swivel-mounted table

Required Space: 210 x 150 cm (W x D)

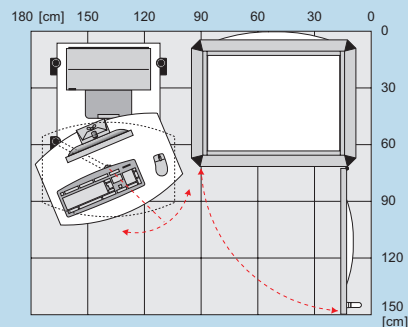


MasterScreen PFT + Body, Front view



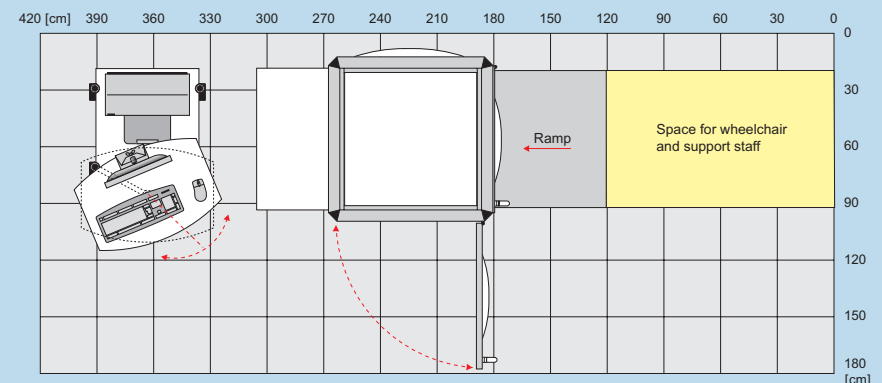
MasterScreen Body with swivel-mounted table

Required Space: 180 x 150 cm (W x D)




MasterScreen Body XXL with swivel-mounted table

Required Space: 420 x 170 cm (W x D)



Please note: not all products, services or features of products and services may be available in your local area. Please check with your local CareFusion representative.

In the U.S. included parts and options may be different.
Please consult your sales representative for more detail.

 **CAUTION** - U.S. Federal Law restricts this device to sale by or on the order of a physician.

CareFusion
22745 Savi Ranch Parkway
Yorba Linda, CA 92887
800.231.2466 toll-free
714.283.2228 tel
714.283.8493 fax

 CareFusion Germany 234 GmbH
Leibnizstrasse 7
97204 Hoechberg
Germany
+49 931 4972-0 tel
+49 931 4972-423 fax
www.carefusion.de



U.K Sales:
CareFusion UK 236 Ltd
The Crescent, Jays Close
Basingstoke, RG22 4BS, UK
+44 (0) 1256 388599 tel
+44 (0) 1256 330860 fax
www.carefusion.co.uk

CareFusion
Yorba Linda, CA

carefusion.co.uk

© 2015 CareFusion Corporation or one of its affiliates. Microsoft, Windows and Server are either registered trademarks or trademarks of Microsoft Corporation in the United States and/or other countries. Dell is a trademark of Dell Computer Corporation in the United States and/or other countries. Core is a trademark of Intel Corporation in the U.S. and/or other countries. Sidestream is a registered trademark of Respironics UK Ltd.

All rights reserved. CareFusion, CareFusion logo, SentrySuite, JAEGER, MicroGard, FlowScreen and SpiroPro are trademarks or registered trademarks of CareFusion Corporation or one of its affiliates. All trademarks are property of their respective owners. RC1909 (0810/Qty) L3339, Version 09.00



CareFusion