



MAKERS OF RESPIRATORY VALVES SINCE 1938

**HANS RUDOLPH, inc.**

www.rudolphkc.com

TEL: (913) 422-7788

U.S.A. & CANADA: (800) 456-6695

FAX: (913) 422-3337

E-Mail: hri@rudolphkc.com

8325 COLE PARKWAY, SHAWNEE, KANSAS 66227 U.S.A.

# Data Sheet...

## EAGLE 1™ SERIES 7301 EAGLE 2™ SERIES 7302

### Disposable Face Masks



Small Medium Large

#### Intended Use - Environment For Use

The 7301 Eagle 1 Mask and 7302 Eagle 2 Mask are disposable single-patient use, Oro-Nasal masks intended to administer oxygen or other breathing gases into the upper airway for short term or emergency applications of noninvasive respiratory support or ventilation in hospital, transport vehicle, institutional or other clinical settings on patients that weigh > 30 kilograms. The Eagle 2 series mask has a supplemental, membrane-sealed port for use during insertion of a bronchoscope or other endoscopic device into the the patient's airway while still administering oxygen and other breathing gases. This mask also has a hose barb and female luer integrated in the mask dome.

#### Product Features

- Light Weight
- Low Dead-space
- Overmold design effectively one piece construction
- Anatomical shaped Facial Sealing Flange
- Color coded for Size indication
- Bio Compatible materials
- Integrated Chin Cup for mask stabilization
- Water Clear mask dome
- 22 mm Female medical tapered mask Port
- Eagle 2 series includes integrated Hose Barb, Female Luer & Endoscopic Port
- Headgear Strap mounting posts integral to mask
- 3 sizes of a Multi Laminate Headgear with Quick-Release features
- Install & Remove Mask from patient without removal of Headgear from Mask

#### Product Features

MATERIALS (see Fig. A)	
Face Piece Dome	Polypropylene Rigid, Clear
Face Piece Facial Sealing	TPE Low Durometer Blue, Green, Yellow
Cap Plugs (Eagle 2)	TPE Low Durometer White
Headgear Laminate	Polyester UBL Grey & Black, Polyurethane Foam Black
Headgear Hook	Nylon Black
Headgear Strap Clips	Polypropylene Black

#### Typical Applications

- Short term noninvasive ventilation therapy
- Oxygen therapies
- Aerosol therapies
- Cough assistance
- Transport & Emergency procedures
- Manual Resuscitation

#### General Information

- Warning & Risks: refer to the Instructions For Use 691901 (Eagle 1) & 691902 (Eagle 2) shipped with the products
- This product is packaged and shipped clean, non-sterile
- Cautions
  - a. Federal law restricts this device for use ONLY by medical professionals
  - b. Do not attempt to sterilize or disinfect mask or headgear

#### Ambient Conditions

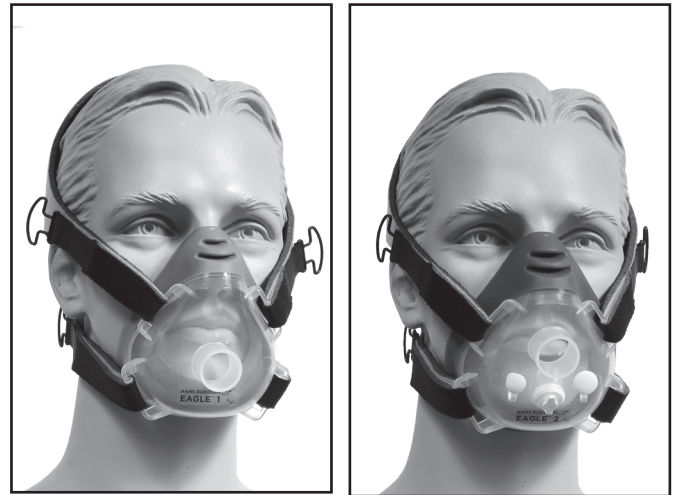
- Temperature: -18° C to 50° C
- Relative Humidity: 0-100% RH

#### Safety Information

Safety or technical information regarding this product can be obtained from Hans Rudolph, inc. Ph: 913-422-7788 Fax: 913-422-3337 hri@rudolphkc.com



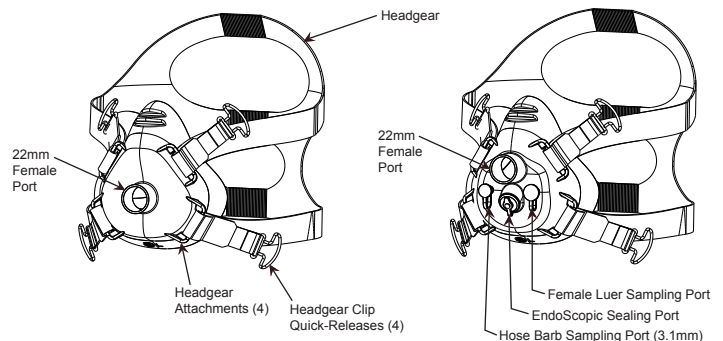
Mask sizing gauge printed on each product bag.



Eagle 1

Eagle 2

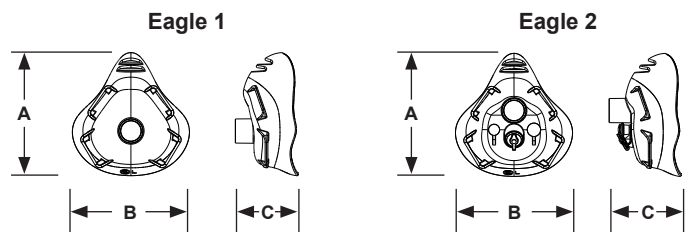
#### Figure A



Eagle 1

Eagle 2

#### Figure B



Characteristics	Mask Face Pieces Series & Sizes (see Fig. B)					
	Eagle 1			Eagle 2		
	Small (S)	Medium (M)	Large (L)	Small (S)	Medium (M)	Large (L)
A in (cm)	4.5 (11.4)	4.9 (12.5)	5.2 (13.2)	4.5 (11.4)	4.9 (12.5)	5.2 (13.2)
B in (cm)	4.3 (10.9)	4.6 (11.7)	5.0 (12.7)	4.3 (10.9)	4.6 (11.7)	5.0 (12.7)
C in (cm)	2.6 (6.6)	2.6 (6.6)	2.6 (6.6)	3.0 (7.6)	3.0 (7.6)	3.0 (7.6)
Deadspace (ml)	80	110	145	105	140	175
Weight (gm)	54	59	63	59	64	68
Operating Pressure	0 - 40 cm H <sub>2</sub> O					
Endoscopic Diameters	NA			3.6 - 6.3 mm		
Color Code Facial Flanges	Yellow	Green	Blue	Yellow	Green	Blue

## Accessories

### Respiratory Connectors Swivel Type Disposable

Part Number	Description
115401	22mm OD x 22mm ID Elbow type with AAV & Vents
115402	22mm OD x 22mm ID Elbow type with AAV
115403	22mm OD x 22mm ID Elbow type
115404	22mm OD x 22mm ID Straight type

AAV = Anti-Asphyxia Valve opens at mask pressures less than 3 cm H<sub>2</sub>O

Vents = Micro Vent holes dissipate CO<sub>2</sub>

### Ordering Information

Part Number	Eagle 1 WITH Headgear
115001	Large
115002	Medium
115003	Small
	<b>Eagle 1 LESS Headgear</b>
115101	Large
115102	Medium
115103	Small
	<b>Eagle 2 WITH Headgear</b>
115201	Large
115202	Medium
115203	Small
	<b>Eagle 2 LESS Headgear</b>
115301	Large
115302	Medium
115303	Small

Unit of Measure = 1 Mask

Order Quantities Minimum 10 each per PN (order in increments of 10 per PN)